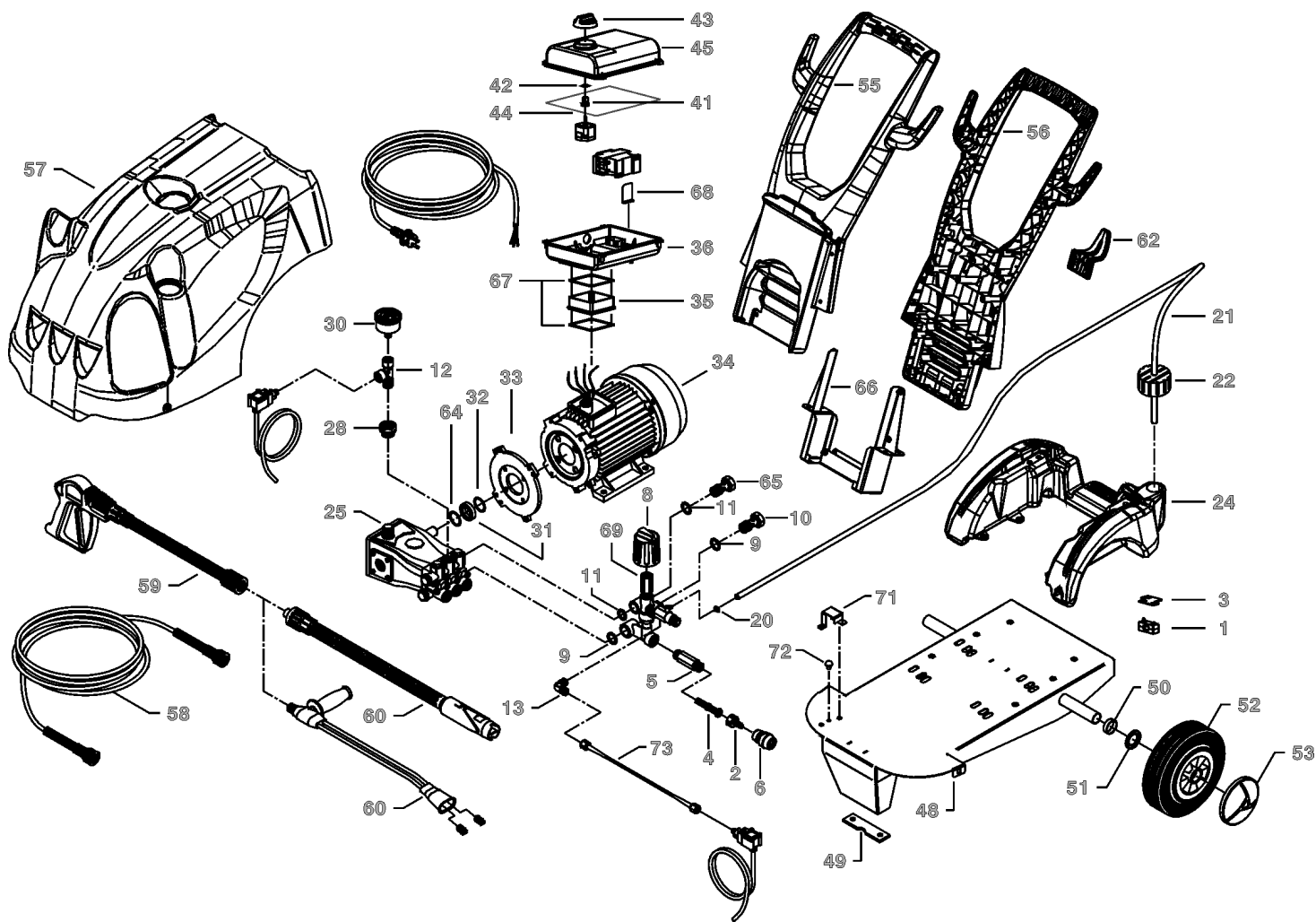
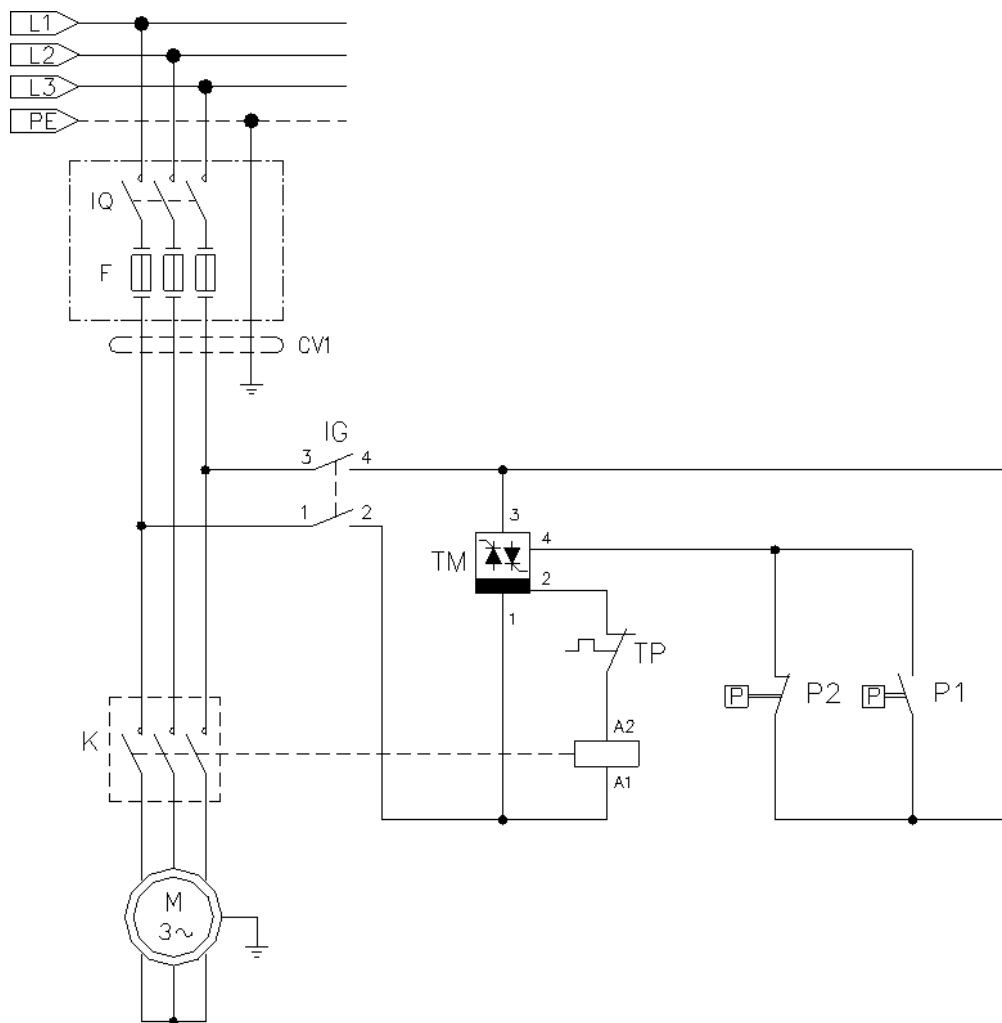


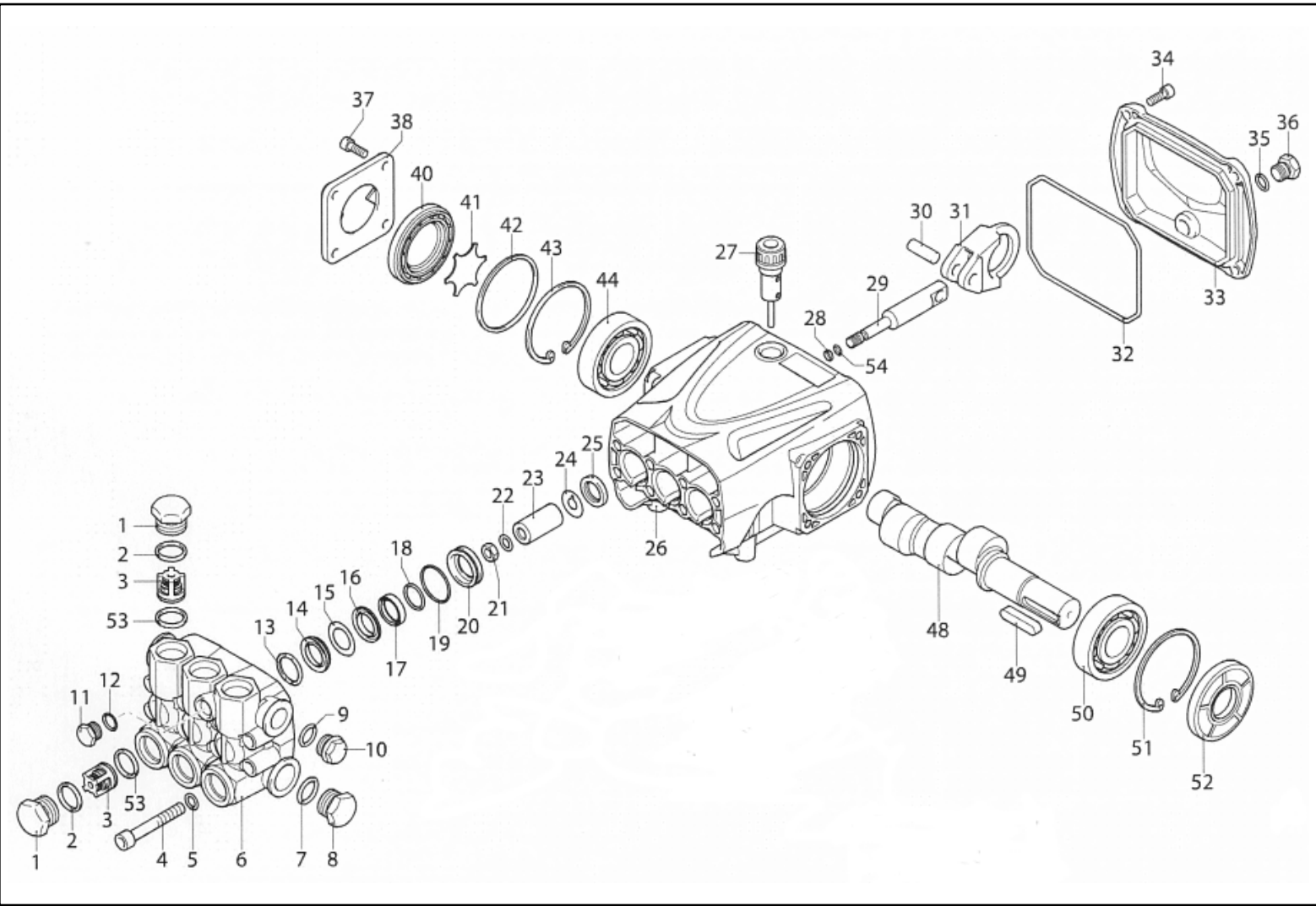
Ref.	K	Part N.	Customer Part N.	Description	Qty	Validity: From To	Price
0001		MEVR20906		SERRACAVO KSM	1,00		--
0002		RCVR29600		PRESA PTC 3/4 F	1,00		--
0003		LAFN40457		SUPPORTO PW-C40	1,00		--
0004		FTAC30214		FILTRO D.15X67	1,00		--
0005		RCDS42051		NIPPLO 3/4 - 1/2 RYL	1,00		--
0006		RCVR29602		RACCORDO D. 1/2"-5/8" PTC	1,00		--
0008		MPVR09436		MANOPOLA NERA ST 260	1,00		--
0009		VTRS00549		ROSETTA D.21,5X27X1,5 (1/2) RM	2,00		--
0010		RCDS12486		VITE CAVA G 1/2 L=48,5	1,00		--
0011		VTRS00548		ROSETTA D.17,5X23X1,5 (3/8)RM	2,00		--
0012		RCVR72867		RACCORDO A "T" 1/8" FFM	1,00		--
0013		RCVR35844		GOMITO 1/4-1/8 M/M NIK	1,00		--
0020		FSVR40006		FASCETTA D 9.8 - 10.4	2,00		--
0021		TBBP62474		TUBO B.P. D. 7-10 CR.	0,35		--
0022		MPVR60848		TAPPO SERBATOIO 1-1/4F	1,00		--
0024		MPVR40353		SERBATOIO PW-C50 PEHD	1,00		--
0025		PPAP40058		POMPA RR 15.20 DX N	1,00		--
0028		PVVR40175		TAPPO AR RR C/F. 1/8F+OR	1,00		--
0030		MNMN18650		MANOMETRO 0-300 D.40	1,00		--
0031		RCDS25578		BOCCOLA IP WW141 OT.	1,00		--
0032		GUGO21339		O-RING D. 29.82 X 2.62 VIT 70SH	1,00		--
0033		MFVR21309		CONTROFLANGIA MEC 90-100-112	1,00		--
0034		MOTR40030		MOTORE TR. C50 HP7.5 23-400/50C RR/K	1,00		--
0035		MPVR40348		DISTANZIALE C50 H.22 PP	1,00		--
0036		MPVR40334		CASSETT.COMANDIPW-C4/50 ABS BK.	1,00		--
0041		MPVR23482		CODOLO TEC. TUV	1,00		--
0042		GUGO25527		O-RING D. 14 X 3 NBR 70SH	1,00		--
0043		MPVR49057		MANOPOLA NERA P176-M.RACE PA6	1,00		--
0044		GUGO33675		TRAFILATO MOUSSE D. 4	0,90		--
0045		MPVR40335		COPERCHIO CASS.PW-C40 ABS BK.	1,00		--
0048		LAFN40472		CARRELLO PW-C50	1,00		--
0049		MPVR10079		SOTTOPIEDE N S.JET	1,00		--
0050		MPVR29447		DISTANZIALE D. 26-30 L=10 PVC	4,00		--
0051		VTRS09813		ROSETTA D.25	2,00		--
0052		RTRT40002		RUOTA LIBERA D.260 3.00-4 D.25 S.PI.NY	2,00		--
0053		MPVR28995		COPRIRUOTA GRI.D. 110	2,00		--
0055		MPVR40347		MANIGLIONE PW-C4/50 ANT.BS PP BK.	1,00		--
0056		MPVR40346		MANIGLIONE PW-C4/50 PST.BS PP BK.	1,00		--
0057		MPVR40342		COPERTURA VERDEPW-C50 PPL V.368C	1,00		--



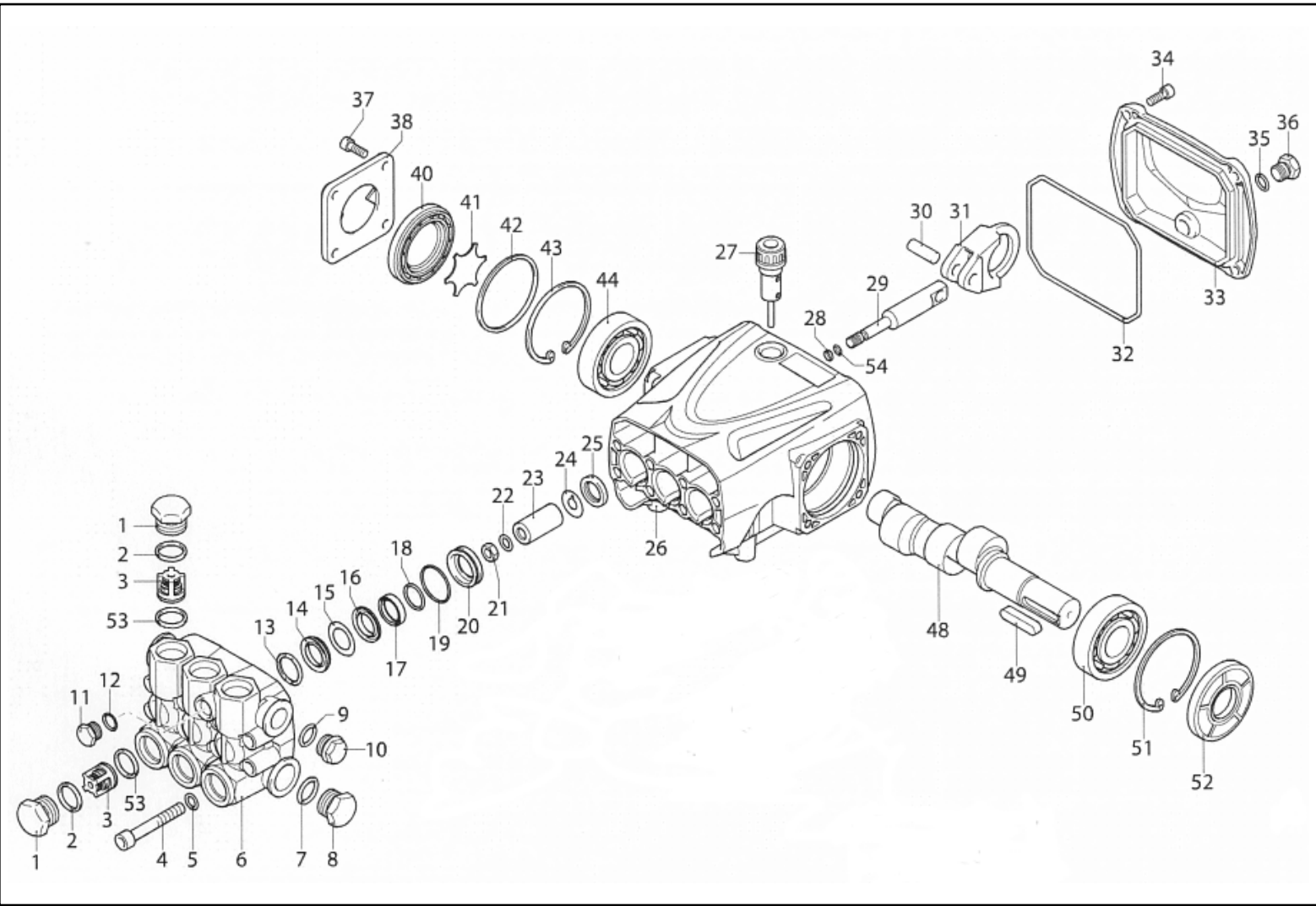
Ref.	K	Part N.	Customer Part N.	Description	Qty	Validity:		Price
						From	To	
0058		TBAP25324		TUBO A.P. R1 MT 10 5/16" C/2 IRV ZC	1,00	04/2012		--
0058		TBAP40066		TUBO A.P. R1 MT 10 5/16" C/2 IRV CN	1,00		04/2012	--
0059		IPPR40010		IMPUGNATURA G 5100+P.330 +M22 SW.M V	1,00			--
0060		LCPR40047		PROLUNGA P 580 - T10P 1.45 GIO	1,00			--
0062		MPVR80139		AVVOLGITUBO H110	1,00			--
0062		MPVR80139		AVVOLGITUBO H110	1,00		11/2011	--
0064		GUGO21337		O-RING D. 25.07 X 2.62 VIT 70SH	1,00			--
0065		RCDS12495		VITE CAVA G 3/8 L=48.5	1,00			--
0066		LAFN40456		STAFFA FISS. PW-C40 BK.	1,00			--
0067		GUGO10881		GUARNIZIONE M.EL. 73X73	1,00			--
0067		GUGO10881		GUARNIZIONE M.EL. 73X73	1,00			--
0068		LAFN40458		SUPPORTO PW-C40 INX	1,00			--
0069		VVAZ40018		VALVOLA MV 625 AR-R AF I.2.1 RG.	1,00			--
0071		LAFN40478		STAFFA PW-C50	1,00			--
0072		MPVR40391		PIEDINO GM. TY.2 D.13.5/6 L.6 TPE	1,00			--
0073		TBAP40087		TUBO POLIAMMIDEL=320 1/4 F-F	1,00			--



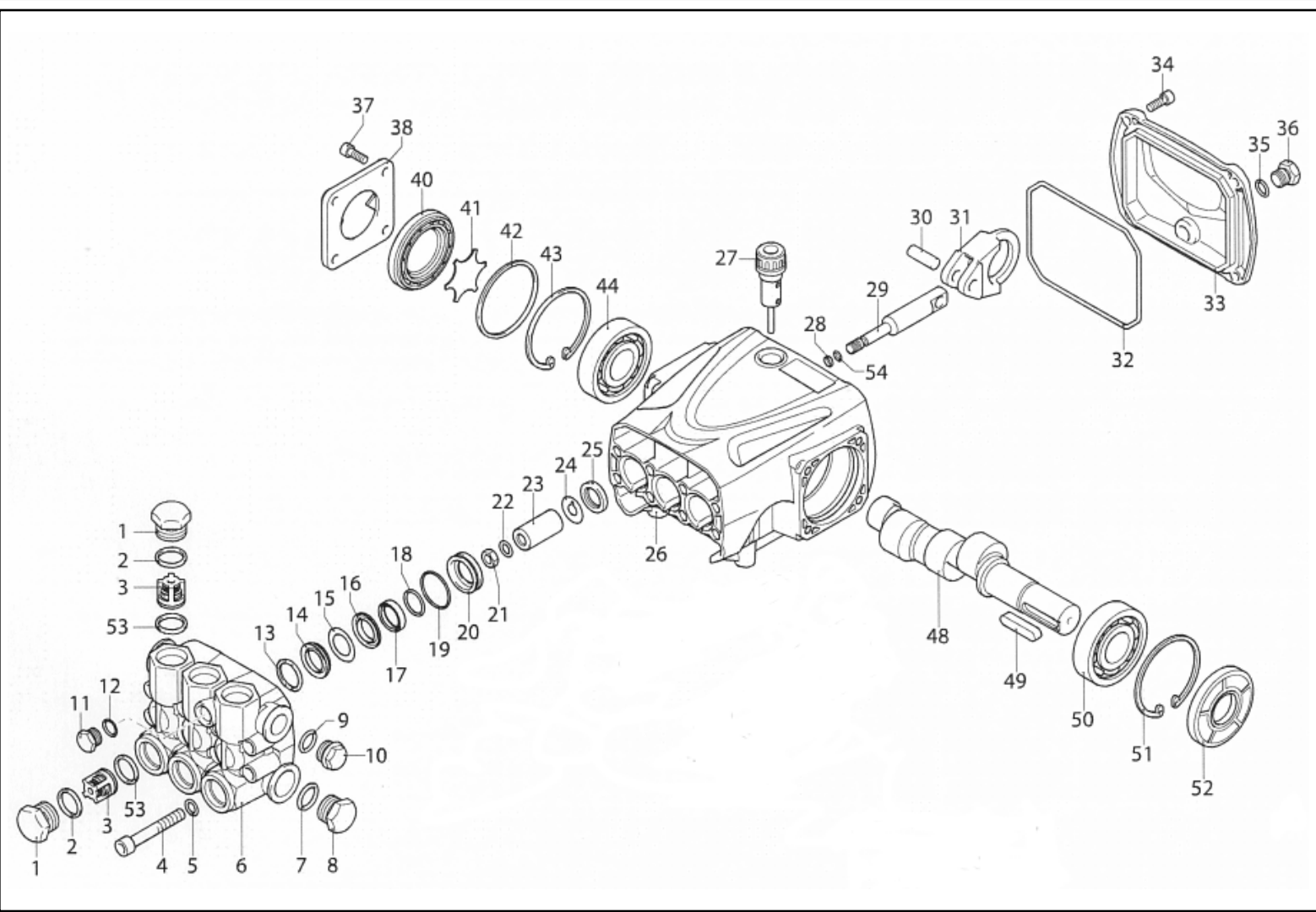
Ref.	K	Part N.	Customer Part N.	Description	Qty	Validity:		Price
						From	To	
K		METT40664		TELERUTTORE SIE 3RT 1017 1AV01 400V	1,00			--
IG		MECI40020		INTERRUTTORE BRM BP. 0-1 12A	1,00			--
P1		MEPF39741		PRESSOSTATO MTM 1/8M NA/NC 25B. MICRO	1,00			--
P2		MEPF39902		PRESSOSTATO MTM 1/4M NA/NC 25B. MICRO	1,00			--
TM		METY37439		TEMPORIZZATORE THV/1S 380-415V 30S.5/60	1,00			--
CV1		MECB89888		CAVO H07 RNF 4X2.5 L=6.500	1,00			--



Ref.	K	Part N.	Customer Part N.	Description	Qty	Validity: From To	Price
0001		PVVR40161		TAPPO AR RR	6,00		--
0002		GUGO03502		O-RING D. 17.86 X 2.62 NBR 70SH	6,00		--
0003	S	VVAM40003		GRUPPO VALVOLA RR	6,00		--
0004		VTVT63018		VITE TCEI M 8X55 ZC U.5931	8,00		--
0005		VTRS00504		ROSETTA D. 8 TE ZC. UNI 6592	8,00		--
0006		MFVR40028		TESTATA AR RR OT.	1,00		--
0007		GUGO19245		O-RING D. 17.5 X 2 NBR 70SH	1,00		--
0008		PVVR40121		TAPPO 1/2 M RC	1,00		--
0009		GUGO09720		O-RING D. 14 X 1.78 NBR 70SH	1,00		--
0010		PVVR40099		TAPPO 3/8 M HRM	1,00		--
0011		PVVR40129		TAPPO 3/8 M RC	1,00		--
0012		GUGO01036		O-RING D. 10.82 X 1.78 NBR 70SH	1,00		--
0013	S	PVVR40122		ANELLO DI TESTAD. 18 RC	3,00		--
0014	S	GUVR40035		ANELLO TENUTA D. 18 RC H.P.	3,00		--
0015	S	GUVR40043		ANELLO ANTIES. D.18X28	3,00		--
0016	S	PVVR40162		ANELLO INTERM. D. 18 RR	3,00		--
0017	S	GUVR40036		ANELLO TENUTA D. 18 RC L.P.	3,00		--
0018	S	GUVR40037		ANELLO ANTIES. D.20	3,00		--
0019	S	GUGO19290		O-RING D. 23.52 X 1.78 NBR 70SH	3,00		--
0020	S	PVVR40163		ANELLO DI FONDOD. 18 RR	3,00		--
0021		VTDD00483		DADO M 8 ZIN UNI 5588	3,00		--
0022		VTRS19394		ROSETTA D. 8X13X0.5	3,00		--
0023	S	PIVR40007		PISTONE D.18 RR	3,00		--
0024		PVVR19233		DISCO XTS	3,00		--
0025	S	GUGO09690		ANELLO RADIALE 15X 24X 5 NBR70	3,00		--
0026		MFVR40030		CARTER POMPA AR RR	1,00		--
0027		PVVR19231		TAPPO OLIO XTS	1,00		--
0028		GUGO08071		O-RING D. 4.48 X 1.78 NBR 70SH	3,00		--
0029		PVVR40176		GUIDA PISTONE RR	3,00		--
0030		PVVR40178		SPINOTTO D. 9 RR	3,00		--
0031		BLVR40002		BIELLA RR	3,00		--
0032		GUGO40017		O-RING D. 107.62 X 2.62 NBR 70SH	1,00		--
0033		MFVR40029		COPERCH. CARTERAR RR	1,00		--
0034		VTVT09913		VITE TCEI 6X16 UNI5931	4,00		--
0035		GUGO01036		O-RING D. 10.82 X 1.78 NBR 70SH	1,00		--
0036		PVVR40129		TAPPO 3/8 M RC	1,00		--
0037		VTVT09913		VITE TCEI 6X16 UNI5931	4,00		--
0038		MFVR40021		COPERCH. CARTERAR RC LT.	1,00		--
0040		PVVR40179		SPIA OLIO RR	1,00		--



Ref.	K	Part N.	Customer Part N.	Description	Qty	Validity:		Price
						From	To	
0041		PVVR40125		DISCO RC	1,00			--
0042		GUGO09030		O-RING 56X82 X2.62 - NBR	1,00			--
0043		VTAE10405		ANELLO ELASTICOD. 62 UNI 7437	1,00			--
0044		CUVR09654		CUSCIN.A SFERE 6305	1,00			--
0048		ALMO40012		ALBERO AR RR 15LT VRS. N	1,00			--
0049		VTVR41531		LINGUETTA 8X 7X35 UNI 6604A	1,00			--
0050		CUVR09654		CUSCIN.A SFERE 6305	1,00			--
0051		VTAE10405		ANELLO ELASTICOD. 62 UNI 7437	1,00			--
0052	S	GUGO40018		ANELLO RADIALE 25X 62X 8 NBR70	1,00			--
0053	S	GUGO02259		O-RING D. 15.54 X 2.62 NBR 70SH	6,00			--
0054		GUVR40044		ANELLO ANTIES. D. 5 X 8 X1	3,00			--



Ref. Part N.	Cust. Part N.	Description	Reference	Price
KTRI40095	KIT P	15-2745 D.18 RC	0013	--
KTRI40142	KIT P	15-2864 RR	0003 0053	--
KTRI40143	KIT P	15-2746 D.18 RR	0023	--
KTRI40144	KIT P	15-42547 RR	0025 0052	--
KTRI40145	KIT P	15-42549 D.18 RR	0014 0015 0017 0018 0019	--
KTRI40146	KIT P	15-42548 D.18 RR	0016 0020	--