

Protection Partition Screen

The partition screen acts as a physical barrier between workers and customers in all types of businesses to drastically reduce the transmission of Covid-19 and other airborne pathogens.



Infection prevention

Easy cleaning and disinfection

Easy assembly and installation

High transparency

These partition screens **increase hygiene and protect you and your workers from covid-19** and other airborne infectious diseases.

Made of satin finish stainless steel and **PETG (Polyethylene Terephthalate Glycol)**, it offers clear vision and great transparency. Available in two versions: **completely transparent and with stainless frame**. It may include or not a slot at the bottom (220x140mm) to facilitate the exchange of all types of products.

WITH STAINLESS FRAME	length	width	height
V1 (with or without slot)	600mm	120mm	700mm
V2 (with or without slot)	800mm	120mm	700mm

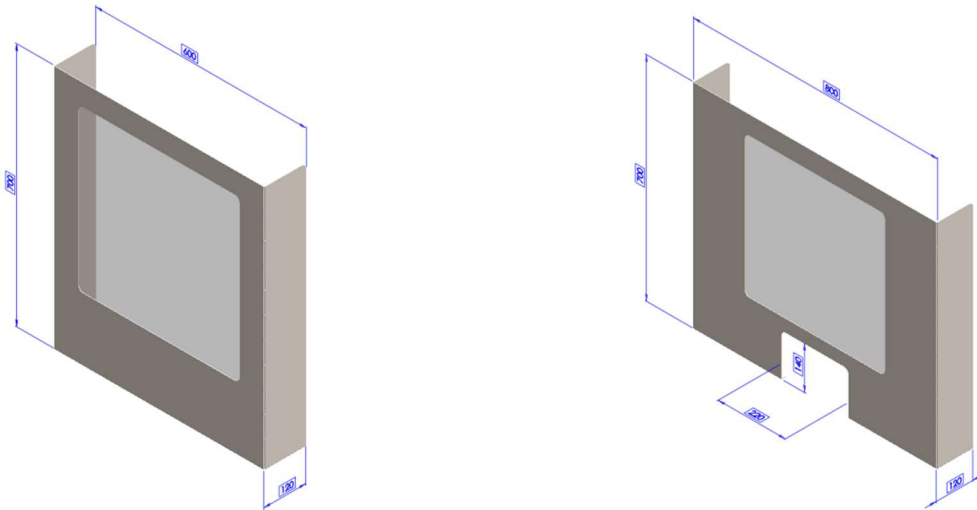
C/ Esteve Bover, 3. Pol. Ind. Mas d'en Bosch. 17500 Ripoll (Girona, SPAIN)

+34 972 70 28 17 comercial@ripleg.com

www.ripleg.com

Protection Partition Screen

TRANSPARENT	length	width	height
V3 (with or without slot)	600mm	120mm	700mm
V4 (with or without slot)	800mm	120mm	700mm



Its non-porous material enables easy cleaning. Besides, it resists cleaning and disinfection products that easily destroy and inactivate covid-19. One of the best options to fight against covid-19 in all types of businesses (**pharmacies, supermarkets, offices...**).

Partition screen cleaning recommendations: for cleaning and disinfection, spray bleach diluted in water (20 ml of bleach in 1 litre of water). The bleach must be well mixed with the water by shaking the sprayer. Spray the solution on the partition screen and let it act for one or two minutes. Rub with a damp cloth and then, clean the cloth with bleach.

Other measures to consider: Partition screens significantly reduce the probability of infection and increase safety for you and your workers. However, the possibilities of infection are not 100% reduced. Therefore, you must consider taking other measures, such as providing customers and workers with hand sanitizers, increasing workplace hygiene by cleaning floors and surfaces (door handles, table and counter surfaces, switches) with bleach, and ventilating the rooms adequately. For more information, visit **World Health Organisation** website, which is a certified and official source of information to stay up to date on the latest news on covid-19 and prevention protocols.

C/ Esteve Bover, 3. Pol. Ind. Mas d'en Bosch. 17500 Ripoll (Girona, SPAIN)

+34 972 70 28 17 comercial@ripleg.com

www.ripleg.com