

**⚠ CAUTION**

- When connecting a DOSATRON either to the public water supply or to its own water source, you must respect the regulations in force concerning protection of the source i.e. backflow prevention, etc.
- Contact local authorities for requirements of backflow prevention.
- When installing, operating, and maintaining the DOSATRON water powered metering pump, keep safety considerations foremost. Use proper tools, protective clothings, and eye protection when working on the equipment and install the equipment with a view toward ensuring safe operation.
- Follow the instructions in the manual and take additional safety measures appropriate to the liquid being pumped and the temperature of the water that powers the DOSATRON. Be extremely careful in the presence of hazardous substances (e.g. corrosives, toxins, solvents, acids, caustic, flammables, etc.).
- Before applying any aggressive chemicals, please consult your distributor to confirm compatibility with the dosing pump.

**⚠ Hand tighten. No tools needed.**

**RECOMMENDATIONS**

**DO NOT USE THIS UNIT WITHOUT A 60 MICRON [300 MESH] WATER FILTER\* OR YOUR WARRANTY WILL BE VOID.**

\*The 60 micron [300 mesh] water filter (sold separately) protects your unit from debris in the water that causes scoring to the piston and housing.

**KNOW YOUR WATER FLOW!  
GRADUALLY TURN ON THE WATER.**

**COUNT THE NUMBER OF CLICKS IN  
15 SECONDS. DO NOT EXCEED 46\* CLICKS.**

**CLICK CHART**

Clicks/15sec	l/h	GPM
2	110	0.5
4	220	1
18	1000	4.5
36	2000	9
46	2500	11

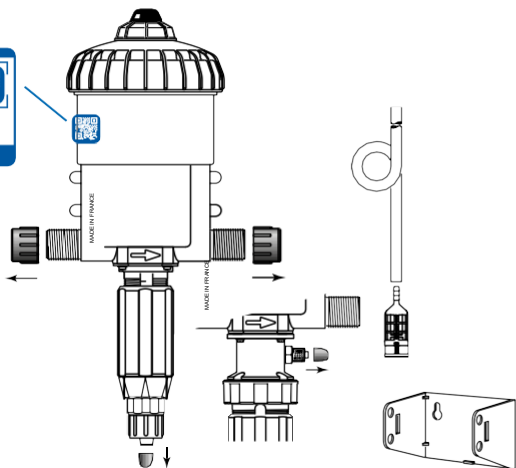
**⚠ MAXIMUM PRESSURE 6 bar\* [85 PSI]**

\* 4 bar [57psi] D25RE10

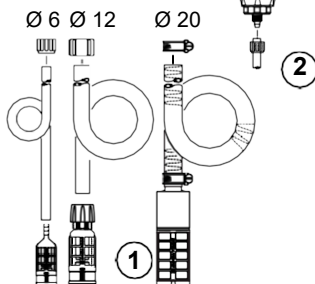
1



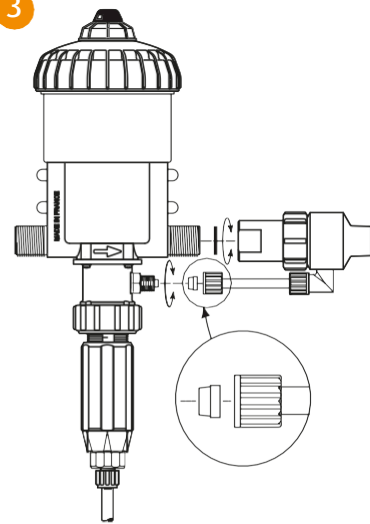
Scan the QR-code on the dosing pump.



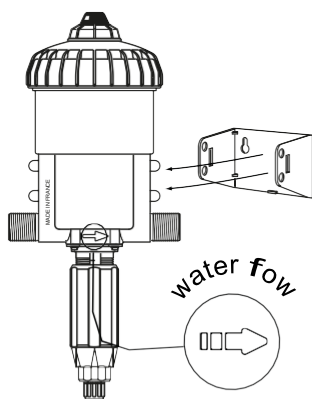
2



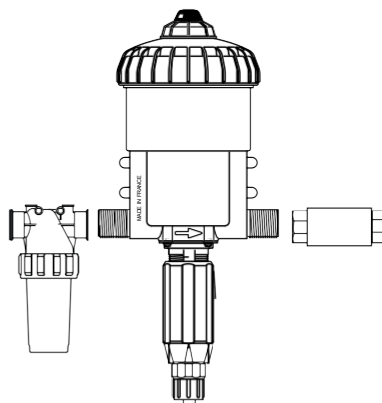
3



4

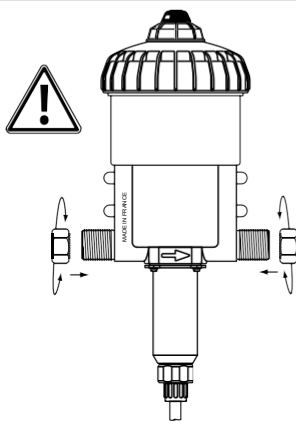


5



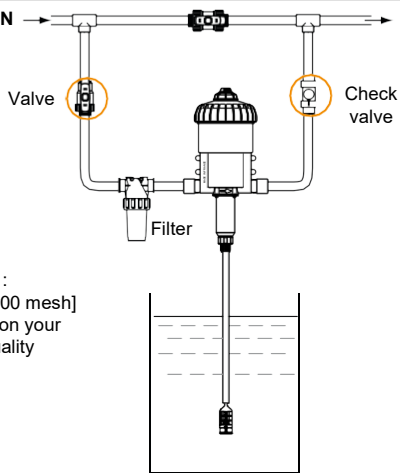
**Maximum: 46 clicks/15 sec.**

6



7

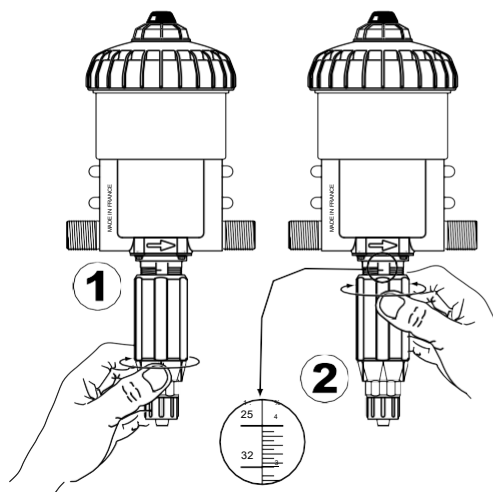
**INSTALLATION HINTS**



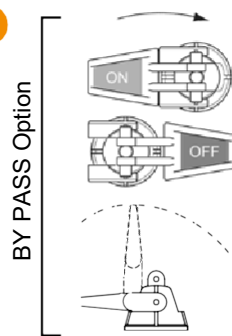
Filter :  
60 microns [300 mesh]  
Depending on your  
water quality

Max.Torque 20 Nm thus 2 kg (1 N.m = 0,1 DaN.m)

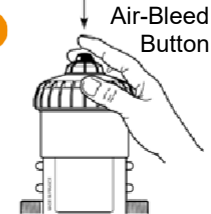
8



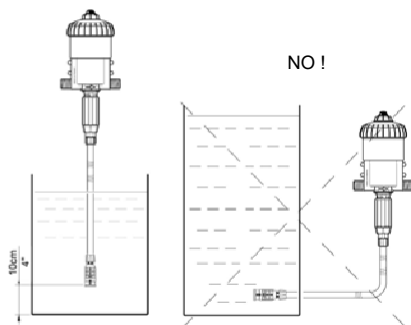
9



10



10



When possible, DO NOT PLACE the container directly under the DOSATRON